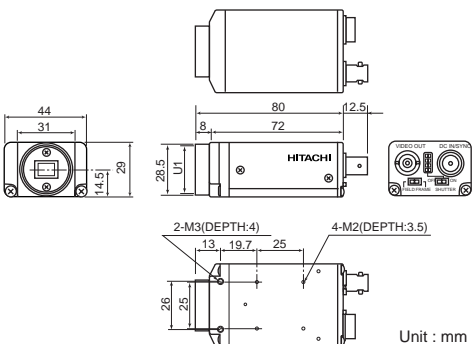


# KP-M1A / M2A / M2R / M3A / M3R



Black-and-white CCD camera featuring high sensitivity, high resolution and high performance. A variety of functions are provided. KP-M series are provided with a variety of functions including multi-step electronic shutter, HD/VD external sync. KP-M2R/M3R have Infra-red sensitivity.

## Dimensions



## Main Specifications

- Imaging device :
  - KP-M1A : 2/3-inch Inter-line CCD
  - KP-M2A : 1/2-inch Inter-line CCD
  - KP-M2R : 1/2-inch Infra-red CCD
  - KP-M3A : 1/3-inch Inter-line CCD
  - KP-M3R : 1/3-inch Infra-red CCD
- No. of effective pixels : EIA : 768(H)X494(V)  
CCIR : 752(H)X582(V)
- Sync system : Int./Ext. (Automatically switched)
- Sensitivity switching : FIX, AGC or MANUAL
- Gamma correction : 1 or correction
- Electronic shutter modes from 1/120(CCIR), 1/100(EIA), to 1/10,000
- External trigger : Field on demand , Restart and reset operation optionally.
- Lens mount : C-mount
- Power supply : 12 VDC
- Dimensions : 44(W)X44(H)X72(D) mm
- Mass : 120 g approx.

## Standard composition

- (1) Camera body
- (2) Operation manual

## Optional accessories

- (1) Tripod adaptor.....TA-M1
- (2) 12-pin plug.....HR10A-10P-12S(01)
- (3) Junction box.....JU-M1A
- (4) Dummy glass (AR-coated).....ARC1214
- (5) Camera cable (molded type)
  - 2m C-201KSM
  - 5m C-501KSM
  - 10m C-102KSM
- (6) AC adaptor.....AP-130

## KP-M1A / M2A / M3A System

